



Amatol

SAFETY SWITCH

7 INTERRUPTORES DE CORTE IP65

SAFETY SWITCHES IP65

La seguridad de las personas es esencial por eso en Famatel ponemos a su disposición nuestra nueva gama de interruptores de corte IP65. Fabricados con materiales altamente resistentes al impacto, la corrosión y agentes químicos, esta gama proporciona un punto extra de seguridad y garantía a la instalación.

The safety of people is essential, for that reason at Famatel we put at your disposal our new range of IP65 switches. Manufactured with materials highly resistant to impact, corrosion and chemical agents, this range provides an extra point of security and guarantee to the installation.



7

- Protección IP65
- Contactos de plata
- Entradas pretroqueladas

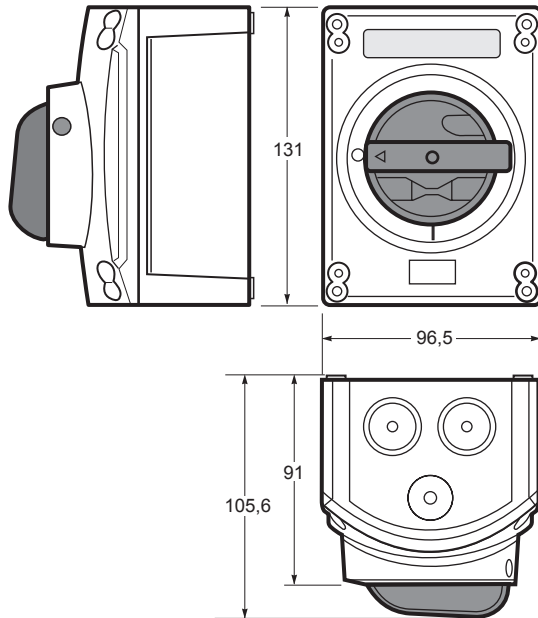
- IP65 Protection
- Silver metal contacts
- Pre drilled entries

7 INTERRUPTORES DE CORTE IP65 SAFETY SWITCHES IP65

INTERRUPTORES DE CORTE / SAFETY SWITCHES

Interruptores / Switches

1



| Rango de uso Range of use | Zona de utilización / Rating use Corriente nominal de utilización A / Nominal current of use A | | | | | | | | | |
|------------------------------|---|------|-----|------|-----|------|-----|------|-----|------|
| | Corriente nominal / Nominal current of use A | | | | | | | | | |
| | 16 | | 20 | | 25 | | 32 | | 40 | |
| AC23A | 10A | 690V | 16A | 690V | 20A | 690V | 25A | 690V | 25A | 690V |
| | 16A | 500V | 20A | 500V | 25A | 500V | 32A | 500V | 32A | 500V |
| AC22A | 16A | 690V | 20A | 690V | 25A | 690V | 32A | 690V | 32A | 690V |
| AC21A | 16A | 690V | 20A | 690V | 25A | 690V | 32A | 690V | 40A | 690V |

Descripción / Description

| | | |
|---|----------------|------------------------|
| Dimensiones (B*H*P) / External dimensions | B*H*P | 96,5 x 131 x 105,50 mm |
| Peso / Weight | kg | 0,150 kg |
| Grado de protección / Degree of protection | IP | IP65 |
| Resistencia al impacto 20°C / Impact resistance | IK | IK 08 |
| Temperatura de uso / Laying temperature | °C | -5 + 40 |
| Temperatura máx. de utilización / Operating temperature | °C | 60 |
| Hilo incandescente / Resistance to glow wire test | °C | 650 |
| Norma de referencia / reference standards | CEI EN 60947-3 | |
| Polos / Poles | P | 2P - 3P - 4P |
| Tens. nominal aislamiento Ui / Rated insulation voltage | V | 690 |
| Tens. nominal a sobretensión / Rated volatage pulses | KV | 6 |
| Corriente nominal interior caja Rated thermal current inside the box | A | 40 |
| Corriente de cortocircuito condicional Rated conditional short-circuit | KA | 10 |
| Frecuencia / Frequency | Hz | 50/60 |
| Conexión flexible / conductores rígidos mm ² Connecting conductors flexible / solid mm ² | Min/Max | 1,5 - 10 |

- Interruptor de corte diseñado para aplicaciones industriales y de consumo.
- Estructura dividida en 3 partes, fondo, cubierta (fabricado con materiales con alta resistencia mecánica a los golpes) y el interruptor interno.
- Disconnecting switch designed for industrial and domestic applications.
- Structure divided into 3 parts, bottom, cover (manufactured with high mechanical resistance materials) and the internal switch.



| Corriente Nominal Nominal current | N° Polos Poles | Notas Notes | Ref. / Item |
|--------------------------------------|-------------------|----------------|--------------|
| 16A | 2+E | | 25510 |
| | 2+NP+E | Solid Neutral | 25511 |
| | 3+E | | 25512 |
| | 3+NP+E | Solid Neutral | 25513 |
| | 4+E | | 25514 |
| 20A | 4+NP+E | Solid Neutral | 25515 |
| | 2+E | | 25501 |
| | 2+NP+E | Solid Neutral | 25516 |
| | 3+E | | 25502 |
| | 3+NP+E | Solid Neutral | 25517 |
| 25A | 4+E | | 25503 |
| | 4+NP+E | Solid Neutral | 25518 |
| | 2+E | Solid Neutral | 25519 |
| | 2+NP+E | | 25520 |
| | 3+E | Solid Neutral | 25521 |
| 32A | 3+NP+E | | 25522 |
| | 4+E | Solid Neutral | 25523 |
| | 4+NP+E | | 25524 |
| | 2+E | | 25504 |
| | 2+NP+E | Solid Neutral | 25525 |
| 40A | 3+E | | 25505 |
| | 3+NP+E | Solid Neutral | 25526 |
| | 4+E | | 25506 |
| | 4+NP+E | Solid Neutral | 25527 |
| | 2+E | Solid Neutral | 25507 |
| 40A | 2+NP+E | | 25528 |
| | 3+E | Solid Neutral | 25508 |
| | 3+NP+E | | 25529 |
| | 4+E | Solid Neutral | 25509 |
| | 4+NP+E | | 25530 |

